

## Product Specification

Central Diesel provides these specifications as a courtesy and are a guide only. They have been sourced from the manufacturer and may change without notice. Central Diesel accepts no responsibility for any errors or omissions.



# Southern Cross

## TQ-Series

**AUTOMATIC WATER PRESSURE SYSTEMS  
WITH ELECTRONIC CONTROL**

# 2 YEAR WARRANTY

- Compact design
- Quiet operation
- High quality, corrosion resistant construction
- Includes pressure gauge, in-built check valve and stainless steel inlet strainer
- Built-in loss of prime shut-off with reset function
- Convenient pump priming plug
- Motor thermal overload protection
- Easy to fit screwed connections flanged to pump
- Built-in electronic control with internal pressure and flow switches for automatic operation

— Designed for automatic pressure boosting in domestic applications, gardens, dairies and stock watering

— Ideal for pressure boosting from rainwater tanks

— 3 models to supply from 1 to 5 taps

— Easy to install... supplied with 1.8m lead with 3 pin plug and screwed pipe connections



Model	Motor	Inlet x Outlet Screwed	Max. Head Metres	Max. Output Litres/min	Output at 140kPa (20PSI) Litres/min	Number of Taps
TQ200	0.18kW 240V 1Ph	25mm (1" BSPF)	22	45	20	☐ ☐
TQ400	0.37kW 240V 1Ph	25mm (1" BSPF)	30	75	50	☐ ☐ ☐ ☐
TQ800	0.75kW 240V 1Ph	25mm (1" BSPF)	35	95	80	☐ ☐ ☐ ☐ ☐ ☐ ☐ ☐



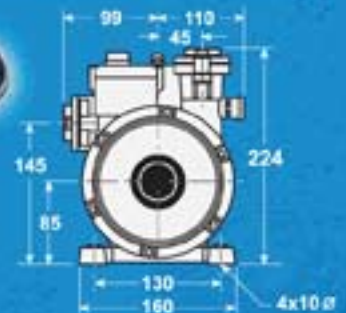
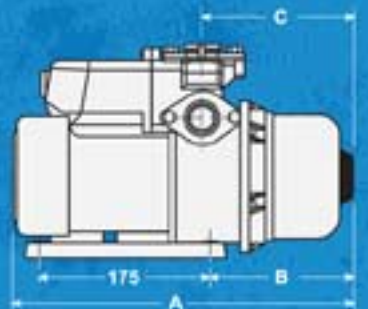
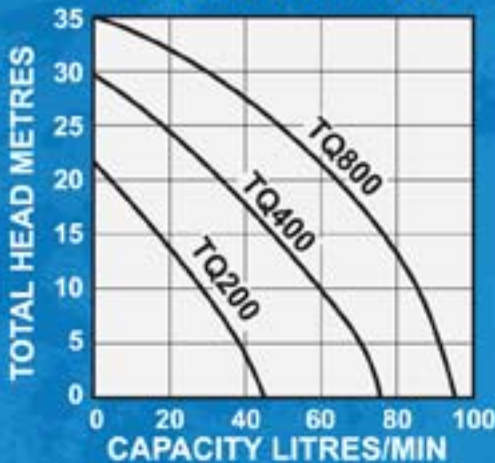
## TQ-Series

**AUTOMATIC WATER PRESSURE SYSTEMS  
WITH ELECTRONIC CONTROL**



# 2 YEAR WARRANTY

### PUMP PERFORMANCE



#### Construction Materials...

Pump Casing –	Glass filled Noryl
Impellers –	Glass filled Noryl
Pump Connections –	Grade 304 stainless steel
Intermediate Chamber –	Glass filled polycarbonate
Mechanical Seal –	Ceramic / Carbon / NBR
Shaft –	Grade 410 stainless steel

#### Operating Conditions

Ambient Temperature –	Maximum +40° C
Pumped Liquid –	Clean, non-aggressive water
Liquid Temperature –	+4°C to +40°C
Maximum Pressure –	580 kPa (85 PSI)

Model	Dimension (mm)			Mass kg
	A	B	C	
TQ200	389	182.5	188	8
TQ400	404.5	198	203	9.6
TQ800	450.5	198	203	12.4

Available from.....



354 Cormack Road | Wingfield | SA | 5013  
PO Box 2005 | Regency Park | SA | 5942  
P: 08 8162 7300 | F: 08 8162 7398



**Ph: 131 786**

e-mail: [tpspumping@typac.com.au](mailto:tpspumping@typac.com.au)  
web: [www.southcross.com.au](http://www.southcross.com.au)

As Tyco policy is one of constant improvement, we reserve the right to make specification changes without notice and without incurring liability.

A division of **tyco** Flow Control Pacific Pty Ltd  
A.B.N. 83 000 922 690

Form 2813A Jan 2008